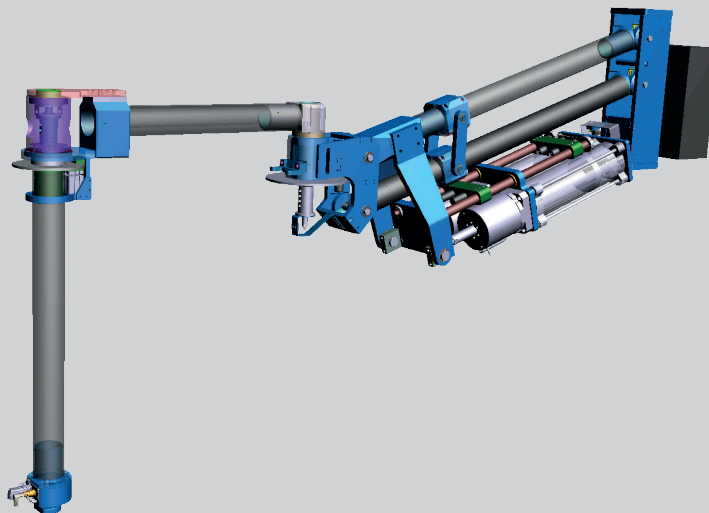


MANIPULATORS

Are you ready for an entirely new manipulator technology?

**See the difference for yourself. NMMH –
Innovation is our world**

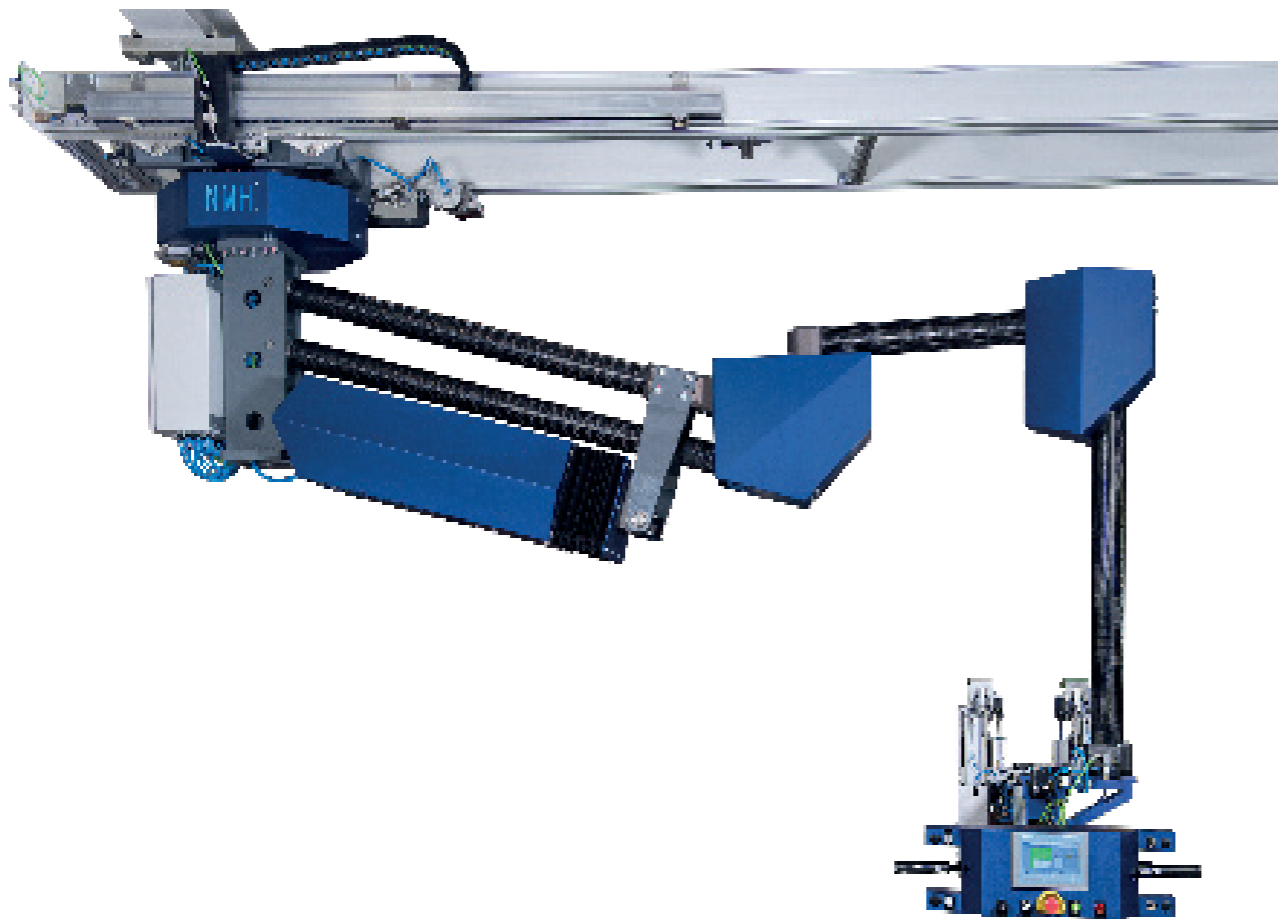


INNOVATIVE. AFFORDABLE. CLEVER.

- >> Flexible assembly with carbon building system in compact design
- >> Carbon fibre tubes and aluminium components drastically reduce the total weight (approx. 30 %)
- >> Rapid movements with maximum precision made possible with the low weight
- >> Height control via analogue, electric rotary handle enables rapid and precise processing, even with high suspended loads
- >> An optional joystick for thumb operation with 2 analogue signals can be integrated in the rotary handle in order to adapt the device speed along the 2 axes (X-Y direction) over the friction drive. This reduces stress for the worker and maximizes working speed and precision
- >> Cable guides with plug connections integrated in the tubes reduce wear and collisions
- >> Smooth-running bearing with slide bearing bushes in parallelogram
- >> Cushioned limit stops for rotary and stroke axes
- >> Same base unit for column and ceiling connection
- >> Maintenance-friendly
- >> The standard unit is equipped for integration of optional rotary guides for voltage supply, data signal (Profinet) and pneumatics for each axis (or individually, if necessary)

- >> Attractive design with cladding in the NMH design is also available on request
- >> Performance Level D is achieved with a sophisticated electrical control unit
- >> Sophisticated safety technology with 2-channel system
- >> Brake system for stroke axis (safety and process optimisation)
- >> Individual control of 3 horizontal brakes is possible

- >> The NMH manipulator is load-independent thanks to a control circuit developed in-house
- > Variable loads can be accommodated. No prior definition of the load is necessary for controlled upward and downward movement
- > Regardless of which load the manipulator carries or sets down (independently of time and position) → the manipulator remains in the current position without prior manual load switching
- > When a load is picked up, it does not lower first
- > When a load is set down, the manipulator does not jolt upwards



**MORE THAN 3,400 CUSTOMERS
WORLDWIDE – INNOVATION IS
OUR WORLD**



About NMH

NMH is one of the “hidden champions” for complex measuring, testing and assembly systems. The company employs around 100 employees at the Hohentengen location. NMH offers complete solutions – from the design to the final production, assembly and commissioning. Nearly all German premium automotive manufacturers and their suppliers are NMH customers.

**Excerpt of
references**



Company film



NMH GmbH
Am Flugplatz 2 | D-88367 Hohentengen
Telephone +49 (7572) 7619-0
Fax +49 (7572) 7619-29
info@nmh.de | www.nmh.de

